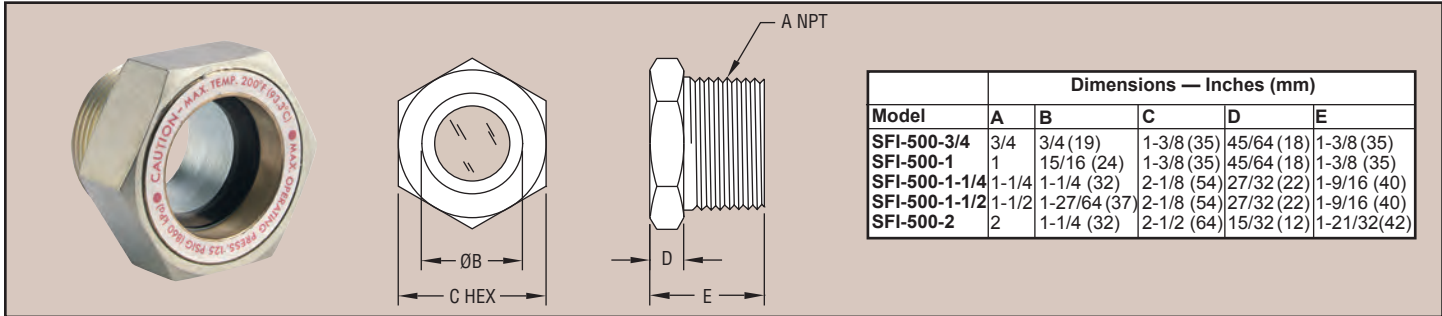




Series
500

Sight Window

Shows Level or Contents of Tanks, Pipelines; Tempered, Replaceable Glass Window



Model	Dimensions — Inches (mm)				
	A	B	C	D	E
SFI-500-3/4	3/4	3/4 (19)	1-3/8 (35)	45/64 (18)	1-3/8 (35)
SFI-500-1	1	15/16 (24)	1-3/8 (35)	45/64 (18)	1-3/8 (35)
SFI-500-1-1/4	1-1/4	1-1/4 (32)	2-1/8 (54)	27/32 (22)	1-9/16 (40)
SFI-500-1-1/2	1-1/2	1-27/64 (37)	2-1/8 (54)	27/32 (22)	1-9/16 (40)
SFI-500-2	2	1-1/4 (32)	2-1/2 (64)	15/32 (12)	1-21/32(42)

Tough, tempered glass window resists chemical attack and abrasion. Seamless gasket assures perfect seal and is easily field replaceable. In addition to the standard brass body, Model 500 Sight Windows are also available in carbon steel or 316 SS to suit a wide range of chemical compatibility.

APPLICATIONS

- Hydraulic tanks
- Pressure vessels
- Coolant tanks
- Hydraulic lines
- Oil reservoirs

Model 316 SS	Model Brass	Model Carbon Steel
SFI-500SS-3/4	SFI-500B-3/4	SFI-500CS-3/4
SFI-500SS-1	SFI-500B-1	SFI-500CS-1
SFI-500SS-1-1/4	SFI-500B-1-1/4	SFI-500CS-1-1/4
SFI-500SS-1-1/2	SFI-500B-1-1/2	SFI-500CS-1-1/2
SFI-500SS-2	SFI-500B-2	SFI-500CS-2

SPECIFICATIONS

Service: Compatible gases and liquids.

Wetted Materials:

Window: Tempered glass;

Body: Brass, carbon steel, or 316 SS;

Gasket: Buna-N on brass and carbon steel body, PTFE on 316 SS body.

Temperature Limit: 200°F (93°C).

Pressure Limit: 125 psig (8.6 bar).

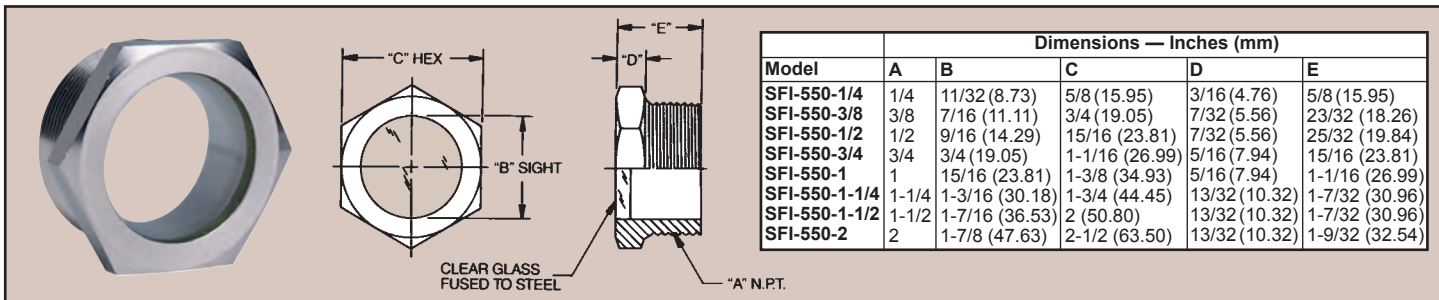
Connections: 3/4" to 2" male NPT.



Series
550

Sight Window

Shows Level or Contents of Tanks, Pipelines; Fused Glass and Steel Construction



Model	Dimensions — Inches (mm)				
	A	B	C	D	E
SFI-550-1/4	1/4	11/32 (8.73)	5/8 (15.95)	3/16 (4.76)	5/8 (15.95)
SFI-550-3/8	3/8	7/16 (11.11)	3/4 (19.05)	7/32 (5.56)	23/32 (18.26)
SFI-550-1/2	1/2	9/16 (14.29)	15/16 (23.81)	7/32 (5.56)	25/32 (19.84)
SFI-550-3/4	3/4	3/4 (19.05)	1-1/16 (26.99)	5/16 (7.94)	15/16 (23.81)
SFI-550-1	1	15/16 (23.81)	1-3/8 (34.93)	5/16 (7.94)	1-1/16 (26.99)
SFI-550-1-1/4	1-1/4	1-3/16 (30.18)	1-3/4 (44.45)	13/32 (10.32)	1-7/32 (30.96)
SFI-550-1-1/2	1-1/2	1-7/16 (36.53)	2 (50.80)	13/32 (10.32)	1-7/32 (30.96)
SFI-550-2	2	1-7/8 (47.63)	2-1/2 (63.50)	13/32 (10.32)	1-9/32 (32.54)

Fused glass style sight windows feature glass to metal bond for utmost reliability. Plated steel bodies have convenient hex wrench surfaces. Connections are standard NPT in sizes from 1/4" to 2". Windows are clear, ripple free, and flush with the front face, having no recess on which dirt might collect.

APPLICATIONS

- Hydraulic tanks
- Pressure vessels
- Coolant tanks
- Hydraulic lines
- Oil reservoirs

Model	Model
SFI-550-1/4	SFI-550-1
SFI-550-3/8	SFI-550-1-1/4
SFI-550-1/2	SFI-550-1-1/2
SFI-550-3/4	SFI-550-2

SPECIFICATIONS

Service: Compatible gases and liquids.

Wetted Materials:

Window: Glass;

Body: Plated steel.

Temperature Limit: 200°F (93°C).

Pressure Limit: 125 psig (8.6 bar).

Connections: 1/4" to 2" male NPT.